



Ball Valves PN 20/50 (Class 150/300)

AIT & IIT Construction

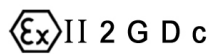
(Carbon Steel and Stainless Steel)



Fig. 515/530

API 6D and Fire Safe

Manufacturing program:



LICENSE NO. 6D-0197

Quality & Environmental Management:



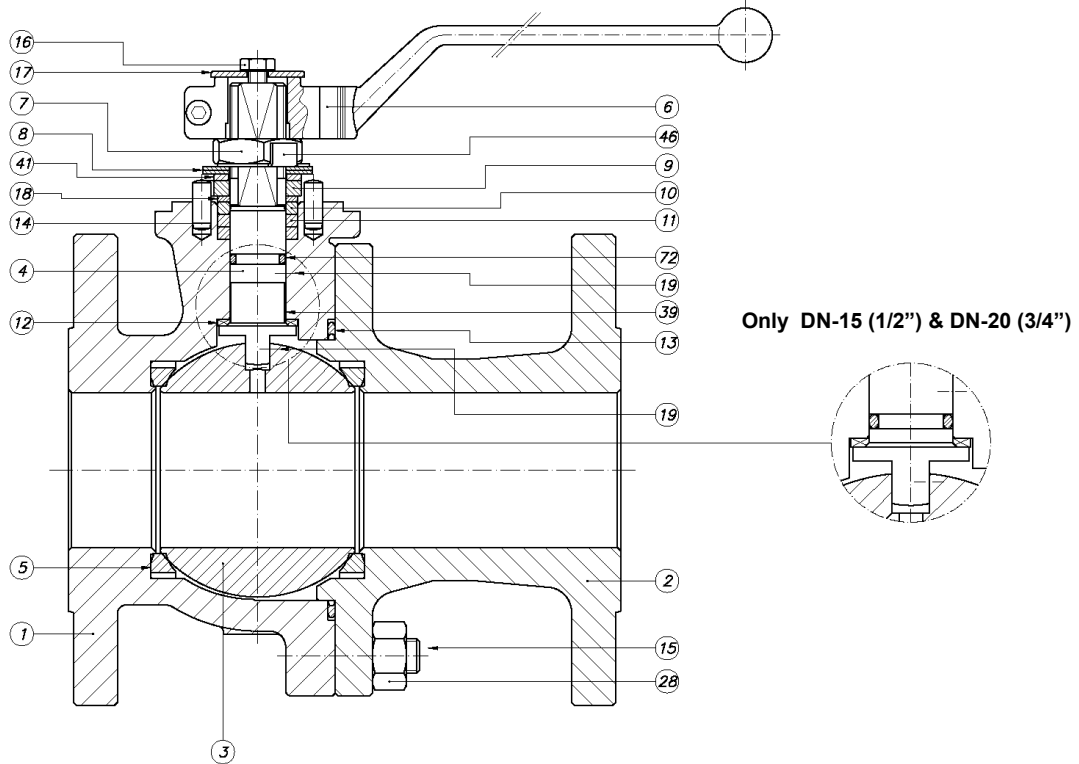


Ball Valves PN 20/50 (Class 150/300)

DN 15 - 200 (½" – 8") PN 20 (Class 150)

DN 15 - 150 (½" – 6") PN 50 (Class 300)

Parts and materials



Item	Description	Material	
		AIT	IIT
1	Body	A 216 Gr. WCB (C ≤ 0,25%)	A 351 Gr. CF8M
2	Body connector	A 216 Gr. WCB (C ≤ 0,25%)	A 351 Gr. CF8M
3	Ball	A 351 Gr. CF8M (DN 15 : 25 A 479 Tp.316)	
4	Stem	A 479 Tp.316	
5	Seat ring	PTFE	
6	Wrench	Nodular Iron	
7	Gland nut	Zinc plated carbon steel	AISI 303
8	Disk spring	Carbon St.	E.N.P. Carbon St.
9	Stop plate	Carbon St.	AISI 304
10	Gland	AISI 303	AISI 316
11	Gland packing	Graphite	
12	Stem thrust seal	25% G.F. PTFE	
13	Body connector seal	AISI 316L + PTFE + Graphite	
14	Stop pin	Carbon St.	Stainless St.
15	Stud	A 193 Gr. B7M	A 193 Gr. B8M
16	Bolt	DIN 933 5.6 Zinc plated	DIN 933 A2
17	Washer	Zinc plated carbon steel	AISI 304
18	Thrust washer	25% G.F. PTFE	
19	Antistatic device	Stainless St.	
28	Nut	A 194 Gr. 2HM	A 194 Gr. 8M
39	Stem bushing (DN 25 to	25% G.F. PTFE	
41	Spacer (DN 40 to 200)	Carbon St.	AISI 304
46	Washer	AISI-304	AISI 304
72	"O" Ring	FKM	
89	Identification plate	Stainless St.	

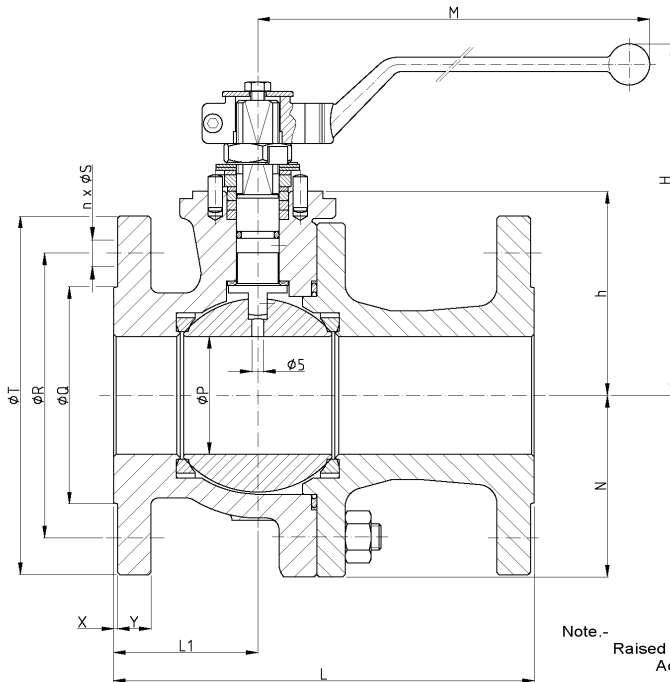


Ball Valves PN 20/50 (Class 150/300)

DN 15 - 200 (1/2" – 8") PN 20 (Class 150)

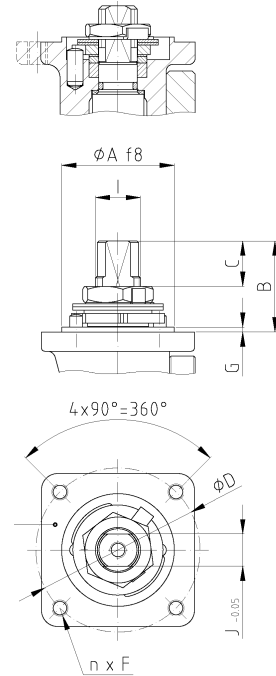
DN 15 - 150 (1/2" – 6") PN 50 (Class 300)

Dimensions



Note.-
Raised Face.- Rz: 12.5 ~ 50
Acc. EN 1092-1:2001

Only DN-15 (1/2") & DN-20 (3/4")



Series 515 (Class 150)

DN	ØP	L	L1	ØQ	ØR	n x ØS	ØT	X	Y	h	N	H	M	WEIGHT
15 (1/2")	15	108	47	34,9	60,3	4x15,9	90	1,6	9,5	46	---	110	164	2
20 (3/4")	20	117	50	42,9	69,9	4x15,9	100	1,6	11,1	53	---	117	164	3
25 (1")	25	127	52	50,8	79,4	4x15,9	110	1,6	12,7	58	---	129	164	3,5
40 (1 1/2")	40	165	65	73	98,4	4x15,9	125	1,6	15,9	76	---	148	213	8
50 (2")	50	178	61	92	120,7	4x19	150	1,6	17,5	83,5	---	155	213	11
65 (2 1/2")	65	190	75	104,8	139,7	4x19	180	1,6	20,6	97	---	169	348	16
80 (3")	80	203	90	127	152,4	4x19	190	1,6	22,2	111	---	207	445	23
100 (4")	100	229	102	157,2	190,5	8x19	230	1,6	22,2	133	120	231	495	38
150 (6")	151	394	160	216	241,3	8x22,2	280	1,6	23,8	183	168	298	698	88
200 (8")	203	457	209	270	298,5	8x22,2	345	1,6	27	233	208	352	868	155

Series 530 (Class 300)

DN	ØP	L	L1	ØQ	ØR	n x ØS	ØT	X	Y	h	N	H	M	WEIGHT
15 (1/2")	15	140	60	34,9	66,7	4x15,9	95	1,6	12,7	46	---	110	164	3
20 (3/4")	20	152	65	42,9	82,6	4x19	115	1,6	14,3	53	---	117	164	4
25 (1")	25	165	70	50,8	88,9	4x19	125	1,6	15,9	58	---	129	164	5
40 (1 1/2")	40	190	80	73	114,3	4x22,2	155	1,6	19	76	---	148	213	11
50 (2")	50	216	83	92	127	8x19	165	1,6	20,6	83,5	---	155	213	14
80 (3")	80	283	118	127	168,3	8x22,2	210	1,6	26,9	111	---	207	445	32
100 (4")	100	305	133	157,2	200	8x22,2	255	1,6	30,2	133	120	231	495	52
150 (6")	151	403	160	216	269,9	12x22,2	320	1,6	35	183	168	298	698	94

(*) Dimensions in mm and weight in kg.

Actuator connection

DN	ISO 5211	ØA	B	C	ØD	n x F	G	I	J
15 (1/2")	F05	35	11,2	5,7	50	4x M6	1,5	M12x1.5	9
20 (3/4")	F05	35	13,2	9,2	50	4x M6	1,5	M12x1.5	9
25 (1")	F05	35	22,7	10,2	50	4x M6	1,5	M12x1.5	9
40 (1 1/2")	F07	55	41,5	19,2	70	4x M8	3	M18x1.5	13
50 (2")	F07	55	41,5	19,2	70	4x M8	3	M18x1.5	13
65 (2 1/2")	F07	55	44	19,7	70	4x M8	3	M22x1.5	16
80 (3")	F10	70	44,5	19,7	102	4x M10	3	M25x1.5	18
100 (4")	F10	70	56,5	29,2	102	4x M10	3	M28x1.5	20
150 (6")	F12	85	68	38,5	125	4x M12	3	M40x1.5	29
200 (8")	F14	100	72	39	140	4x M16	4	M45x2	32

(*) Dimensions in mm

JC Fábrica de válvulas, s.a.

E-Mail: jc@jc-valves.com

Internet: www.jc-valves.com

Authorized Distributor

SERIES
SFF



Ball Valves PN 20/50 (Class 150/300)

DN 15 - 200 (½" – 8") PN 20 (Class 150)

DN 15 - 150 (½" – 6") PN 50 (Class 300)

General Characteristics, Torque&KV, P&T Rating

GENERAL CHARACTERISTICS	Fig.515/530 Series SFF	Split Body	Floating Ball	Full Bore
DESIGN STANDARDS				
Valves design	API 6D	ASME B16.34	EN ISO 17292	ISO 17292
Body design	ASME VIII Div.1			
Shell thickness	ASME B16.34	EN ISO 17292		
Flanges	ASME B16.5 Raised face			
Face to face dimensions	ASME B16.10 Long pattern	API 6D	EN 558	
Actuator mounting flange	ISO 5211			
Wetted parts materials and bolting	NACE MR.01.75			
Shell finishing quality	MSS SP 55			
Marking	API 6D	EN 19	EN 19	CE - PED EN 19
TESTS AND CERTIFICATES				
Quality Assurance	ISO 9001	API Q1	CE - PED	
Fire Safe certification	BS 6755 Part 2	API 6FA	ISO 10497	API 607 6 TH Edition
Pressure testing	API 598	EN 12266	ISO 5208	EN 12266 EN 12266
Other	ISO 14001	ATEX		

Torque Values in Nm

VALVE SIZE	AT DIFFERENTIAL PRESSURE		VALVE SIZE	AT DIFFERENTIAL PRESSURE	
	Class 150	Class 300		Class 150	Class 300
	20 bar	50 bar		20 bar	50 bar
DN 15 (½")	8	12	DN 65 (2½")	60	
DN 20 (¾")	10	16	DN 80 (3")	90	150
DN 25 (1")	15	20	DN 100 (4")	150	230
DN 40 (1½")	25	35	DN 150 (6")	250	342
DN 50 (2")	40	55	DN 200 (8")	700	

Kv Values in m³/h

DN 15 (½")	DN 20 (¾")	DN 25 (1")	DN 40 (1½")	DN 50 (2")
20	40	75	170	270
DN 65 (2½")	DN 80 (3")	DN 100 (4")	DN 150 (6")	DN 200 (8")
550	1000	1650	4200	9000

Pressure-Temperature

For A216 Gr. WCB only. For other materials consult ASME B16.34

